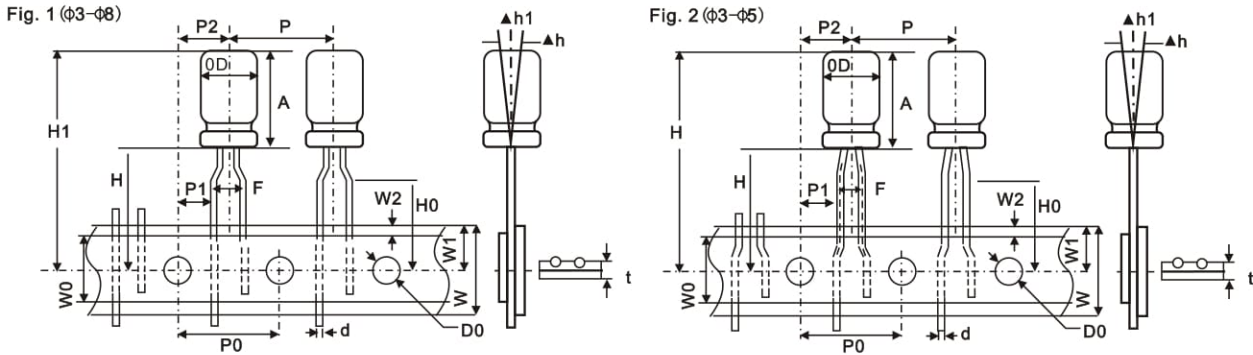


編帶產品規格 taping specifications



Specifications

code	D	A	D	P	P0	P1	F	P2	W	W0	W1	W2	H	H0	D0	L	T	H
tol.	±0.5	±0.15	±0.05	±1.0	±0.2	±0.7	±1.3	±0.8 -0.2	±0.5	min (m m)	±0.5	max	±7.5	±0.5	±0.2	max	±0.2	max
item	4	7	0.45	12.7	12.7	3.85	6.35	2.5or5.0	18	10	9	0.2-0.6	18.5	17.5	4.1	1	0.7	1
	5	12.5	0.5	12.7	12.7	3.85	6.35	2.5or5.0	18	10	9	0.2-0.6	18.5	17.5	4.1	1	0.7	1
	6.3	12.5	0.5	12.7	12.7	5.1	6.35	2.5or5.0	18	10	9	0.2-0.6	18.5	~	4.1	1	0.7	1
	8	12.5	0.5	12.7	12.7	4.6	6.35	3.5	18	12	9	0.2-0.6	18.5	~	4.1	1	0.7	1
	10	21	0.6	12.7	12.7	3.85	6.35	5	18	12	9	0.2-0.6	18.5	~	4.1	1	0.7	1
	13	26	0.6	15	15	5	7.5	5	18	12	9	0.2-0.6	18.5	~	4.1	1	0.7	1
	16	31.5	0.8	25.4	25.4	8.95	12.7	7.5	18	12	9	0.2-0.6	18.5	~	4.1	1	0.7	1

package information

Case Diameter D φ (mm)	Ammo Package		
	A	W	Q'ty pcs
4	190	53	2000
5	235	53	2000
6.3	300	53	2000
8	235	53	1000
10	300	55	300
13	300	61	300

ammo package

